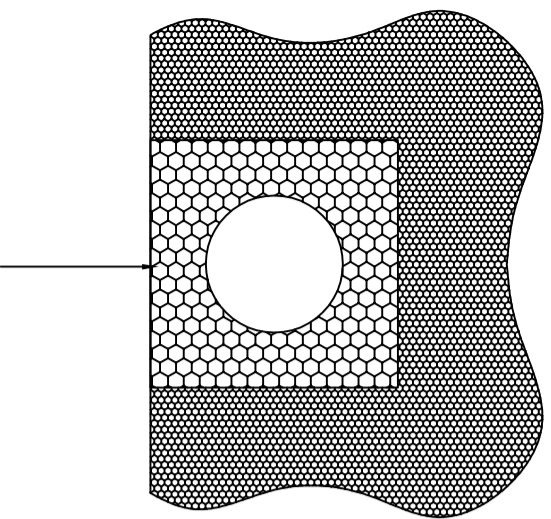


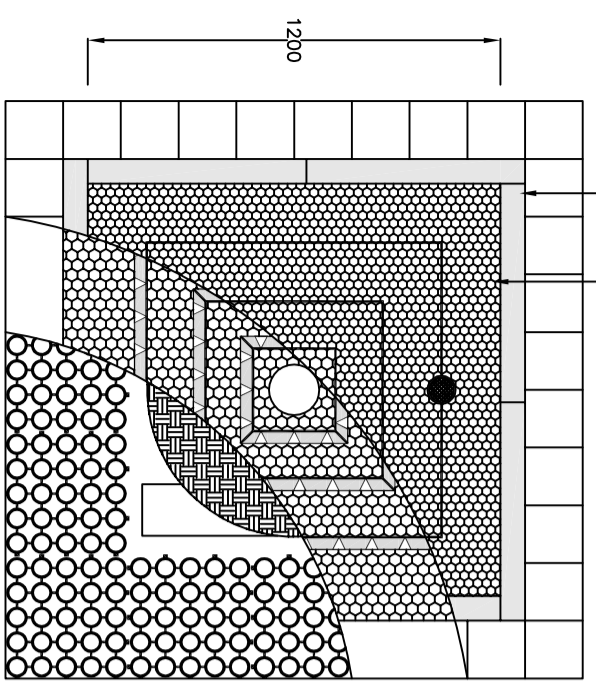
**For use in paved areas in place of conventional tree grille**



Resin bound aggregate 50mm 'buffer' of loose aggregate surrounding the tree. (See Note 2)

Minimum surface area of aggregate - 1200 x 1200

PCC Edging (See Note 3)



**Sectioned Plan View**

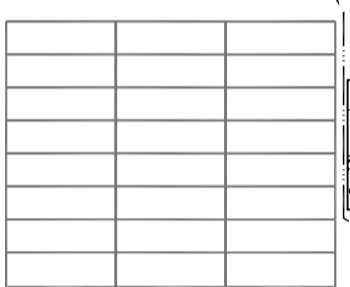
Root rain urban 'irrigation' / feeding pipe - 60mm perforated PVC pipe around rootball. (See Note: 9)

75mm 'Arboresin' resin based aggregate laid over 50mm loose aggregate of the same type as surface material

PCC Edging (See Note 3)

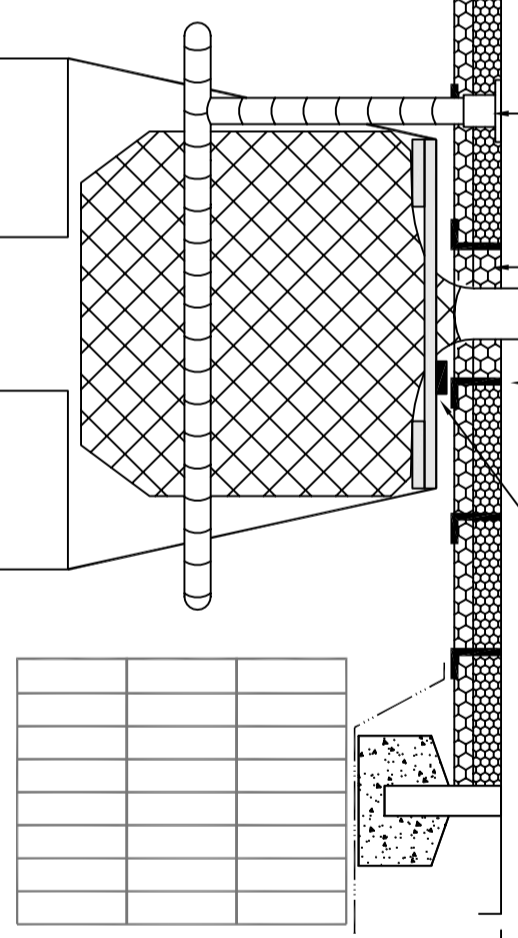
Tree pits lined with root barrier if required. (See Note: 4)

Load bearing RootCells (See Note 8)



(See Note: 2)

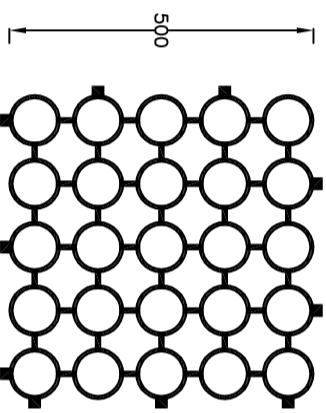
Cripple (max) tensioner 2no. per tree and 125 x 25mm timber frame to protect rootball



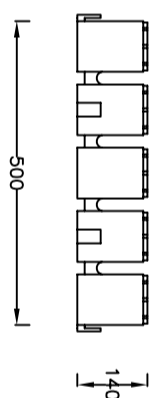
1200

'Dead Man' Anchors (See Note 7)

Loosen granular material to aid root penetration and pit drainage



500



500

140

Greenleaf RootCells (or similar) to be used around tree pit. RootCells to sustain loads of up to 80 tonnes per square metre evenly distributed (See Note 11)

**STANDARD DETAILS**

Project



Directorate of Environment  
Town Hall, St. Ives Road  
Maidenhead, Berks,  
SL6 1RF  
Tel: 01628 683800  
Fax: 01628 796774  
http://www.rbwmt.gov.uk

Title

**ROOTBALLED TREE PIT SPECIFICATION WITH RESIN BOUND SURFACING**

Drawing Number  
**SD/3000/01**

**NOTES:**

1. All dimensions in millimeters unless otherwise stated
2. Resin bound surface to stop 50mm from tree stem. Gap to be infilled with loose aggregate
3. All insitu concrete foundation and haunch to be ST4 concrete
4. Where there is a presence of services which may be affected by growing roots, then an impenetrable barrier/Re-Root 3000 system or similar shall be used
5. Concrete foundation and haunch to be installed over granular sub-base
6. Tree pit to be excavated to min depth of 1200mm where possible, however may be reduced if necessary
7. 'Dead Man' anchors, kerb stones or similar: 4mm guy wire looped twice around minimum. Use 4 anchor points per tree
8. RootCells to be installed on a firm, level & free draining base and should be loaded insitu with a good quality, free draining topsoil. Each layer is to be lightly vibrated with the use of a wacker plate
9. Resin separator edging to allow sectional removal of resin bound surfacing to aide in tree growth, edging to be placed approx 172mm apart where pit dimensions are 1200 x 1200
10. Irrigation inlet to be placed approx 430mm from center of pit
11. Dimensions provided are based on Greenleaf RootCell specification
12. Specification for topsoil to comply to BS3882:2007
13. Tree pit dimensions may extend further than shown, in all cases the tree pits shall be treated on an individual basis

Do not scale this drawing

Rev	Date	Checked

Drawing No.	Revision
<b>SD/3000/01</b>	

Drawn	Checked	ST	Approved	HL
RSG				

NOT TO SCALE  
Date 15.09.10

Reproduced from the Ordnance Survey Mapping with the permission of the Controller of Her Majesty's Stationary Office Crown Copyright © Unauthorised reproduction infringes Crown Copyright and may lead to prosecution or civil proceedings. Royal Borough of Windsor and Maidenhead - Licence Number 100018817